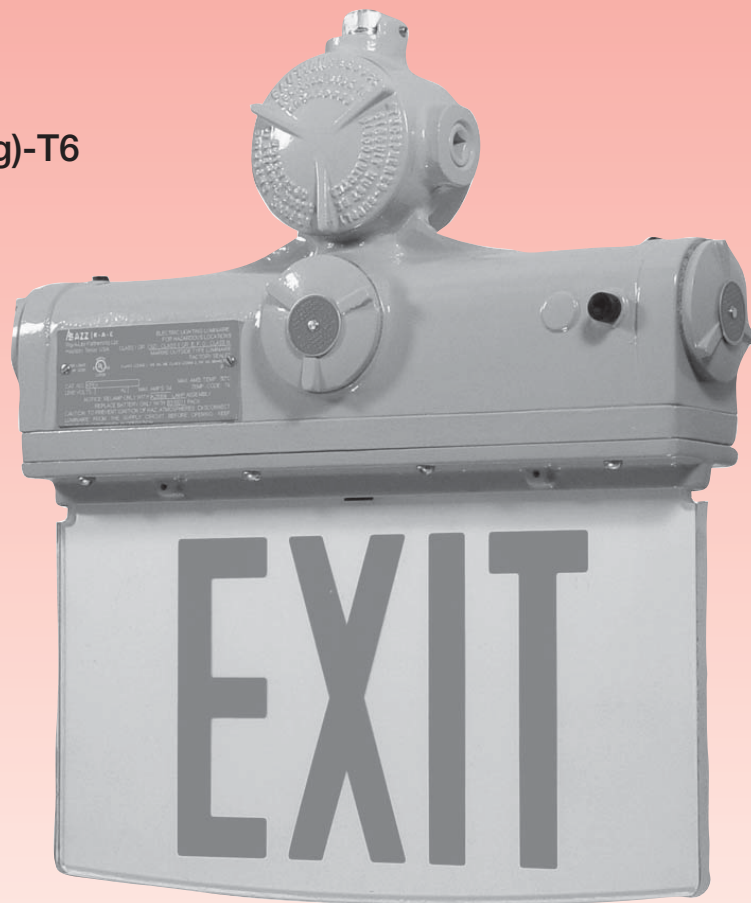


# XPEX SERIES

## Explosion Proof Edge Lit LED Sign/Exit Light

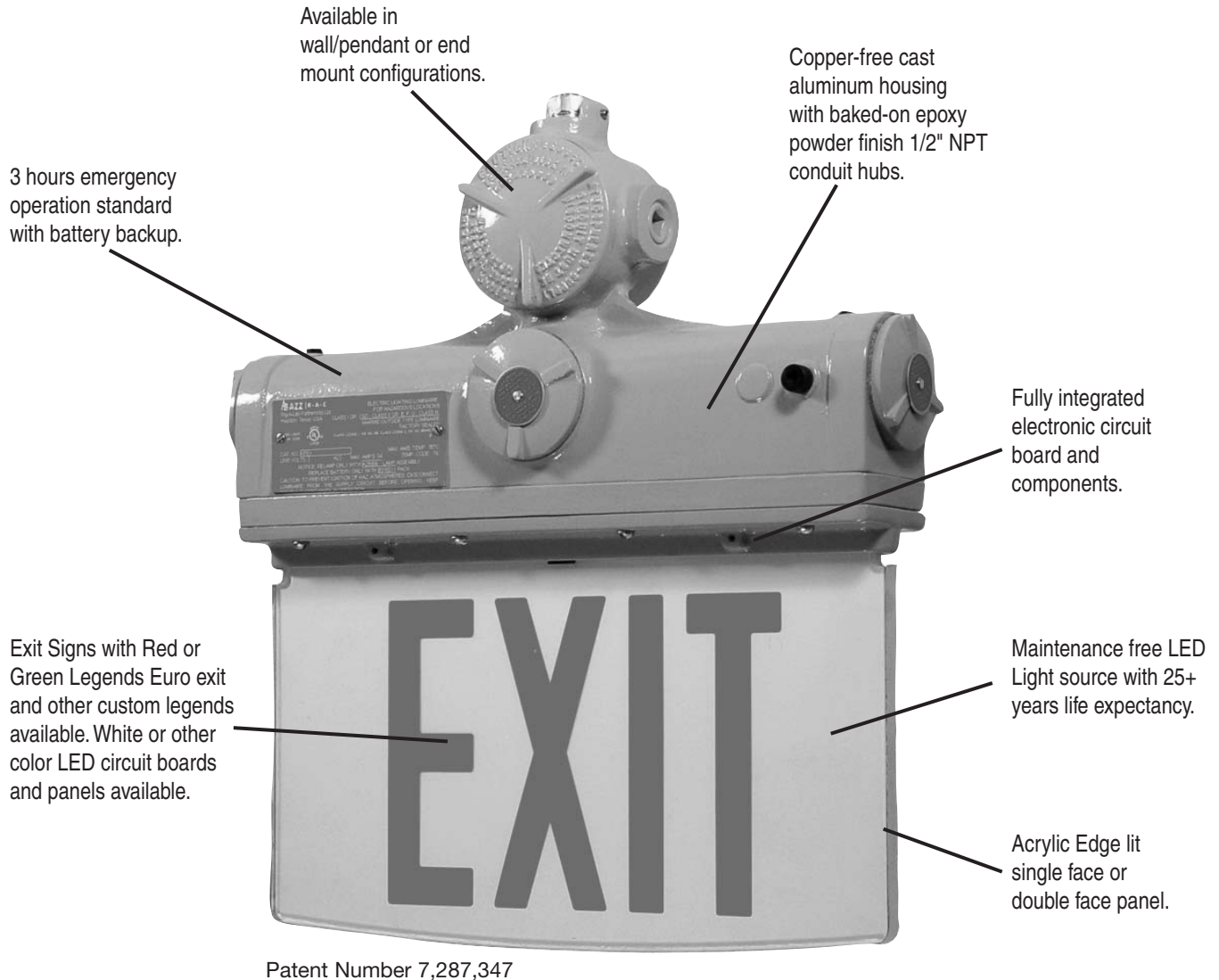
- Class I, Division 1, Groups C & D
- Class I, Division 2, Groups A, B, C & D
- Class II, Division 1 & 2, Groups E, F & G
- Class III Division 1
- Zone 1, Groups IIA, IIB, Class I
- Zone 2, Groups IIA, IIB + H2 & IIC
- Marine Outside Type
- UL 1598A, 844 & 924
- Temperature Class (T-Rating)-T6
- Patent No. 7,287,347
- IP65



**AZZ | R-A-L™**  
**RIG-A-LITE**

# XPEX SERIES

## Explosion Proof LED Edge Lit Sign/Exit Light



XPEX series fixture uses a maintenance free LED light source with a 25 year life expectancy. It features a circuit board that uses a maximum 3.0 watt power consumption. Emergency fixtures meet or exceed NFPA70, NFPA101, EPA Energy Star and OSHA requirements. These fixtures are also suitable for installation in wet or damp locations where salt water spray is possible.

# XPEX Series

Explosion Proof • UL 844 • UL 924 • UL 1598A Marine Outside Type • Factory Sealed

## Catalog Number Logic

**XPEX-2-G-DT-WP-XX**

①    ②    ③    ④    ⑤    ⑥

- ① BASIC SERIES**
- (i) XPEX Explosion Proof LED Exit Light
  - (ii) XPS Explosion Proof LED Sign Light
    - Class I, Division 1, Groups C, & D
    - Class I, Division 2, Groups A, B, C, & D
    - Class II, Division 1 & 2, Groups E, F & G
    - Class III Division 1
    - Zone 1, Groups IIA, IIB, Class I
    - Zone 2, Groups IIA, IIB + H2 & IIC
    - Marine Outside Type
    - UL 1598A, 844 & 924
    - IP65
    - Temperature Class (T-Rating)-T6

- ② NUMBER OF FACES**
- 1 = Single Face
  - 2 = Double Face

- ③ LEGEND COLOR**
- R = Red
  - G = Green
  - X = Other (Contact Factory)

- ④ VOLTAGE/FREQUENCY**
- DT = 120/277V 60HZ
  - 22 = 220V 50HZ
  - 24 = 240V 60HZ
  - Other Voltages Available Consult Factory
  - A/C Model: Listed for 40°C Maximum

- ⑤ MOUNTING**
- WP = Wall/Pendant Mounting
  - EB = End Bracket

- ⑥ OPTIONS<sup>1</sup>**
- EM = Emergency Battery Backup
    - Battery Option: Listed for 10°C Minimum, 40°C Maximum
  - EU = Euro Legends (Consult Factory for Full Range)
  - X = Custom Legend (For Sign Light)

<sup>1</sup>Consult factory for pricing.

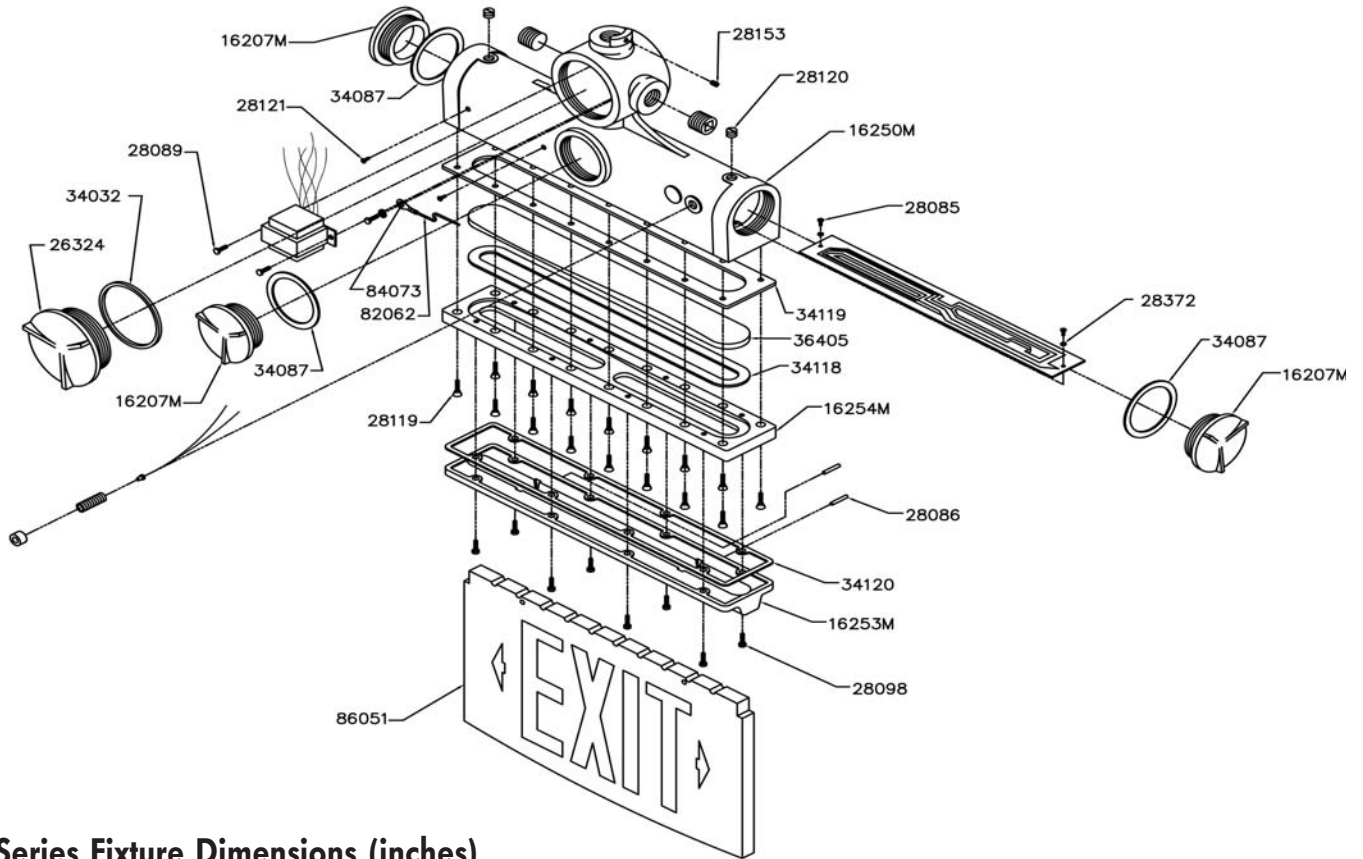
Catalog logic is for explaining catalog number structure only. Not all combinations are possible; consult factory for catalog numbers not listed in charts.

# XPEX Series

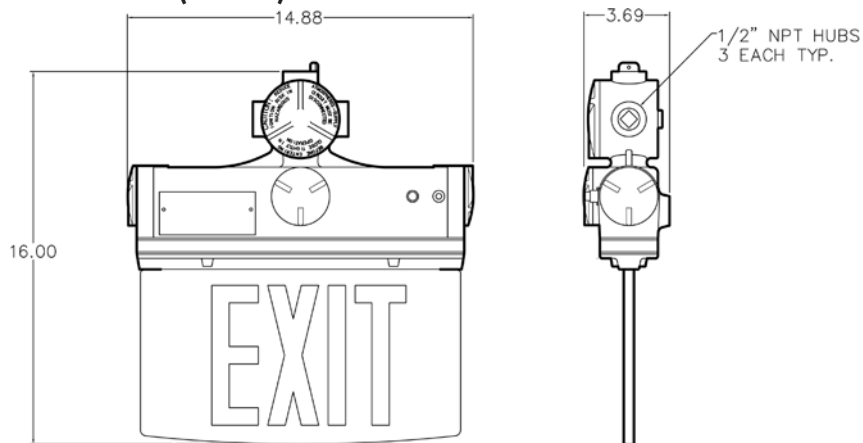
Explosion Proof • UL 844 • UL 924 • UL 1598A Marine Outside Type • Factory Sealed

## Parts List

CATALOG NUMBER XPEX-1-RD-TWP



## XPEX Series Fixture Dimensions (inches)



XPEX SERIES	Dimensions (inches)			Boxed Weight	Shipping Volume (Boxed Fixtures)
	A	B	C		
XPEX LED Exit Sign/Light	14.88	3.59	15.00	15 lbs.	10.5 cu. ft.

# CEX SERIES

## High Pressure Hose Down LED Exit

- Non-Metallic
- UL 924 Emergency Lighting
- Heavy Hose Down



**AZZ | R-A-L™**  
**RIG-A-LITE**

# CEX SERIES

## High Pressure Hose Down LED Exit



- Water resistant
- Suitable for high pressure hose down
- Non-metallic water shield
- Available with battery back-up
- External stainless steel hardware
- Suitable for indoor or outdoor
- Low profile
- Enclosed and gasketed
- Operating temperature 0°C–40°C
- Acrylic Lens
- Polycarbonate end caps

### Catalog Number Logic

**CEX-L-2-R-W-12-XX**

① ② ③ ④ ⑤ ⑥ ⑦

①

**BASIC SERIES**  
CEX = Composite Exit Sign

②

**LAMP SOURCE**  
L = LED–Light Emitting Diode

③

**NUMBER OF FACES**  
1 = Single Face  
2 = Double Face

④

**LETTER COLOR**  
R = Red

⑤

**HOUSING COLOR**  
W = White

⑥

**VOLTAGE**  
U = 120 thru 277V 60HZ

⑦

**OPTIONS<sup>1</sup>**  
EM = Emergency Battery Backup  
VR = Vandal Resistant Hardware

<sup>1</sup>Consult factory for pricing.

Catalog logic is for explaining catalog number structure only. Not all combinations are possible; consult factory for catalog numbers not listed in charts.

LED

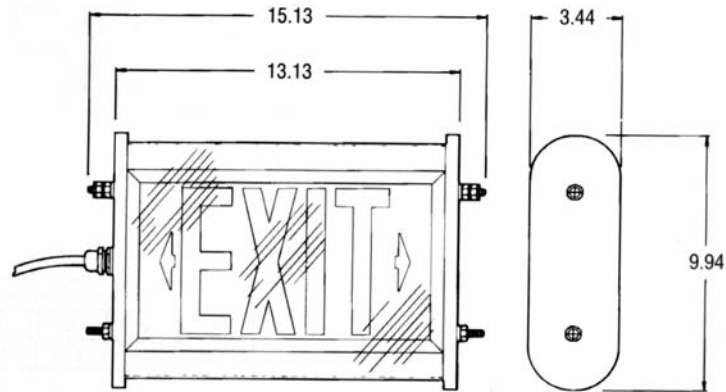
# CEX Series

Non-Metallic • High Pressure Hose Down • Enclosed & Gasketed • Wet Locations

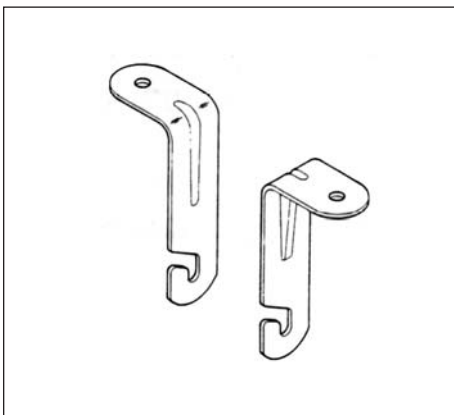
(Lamps included)

Lamp Type	Face	Wattage	Voltage	Catalog Number	Shipping Weight (Lbs.)
LED	Single	1.8W	120-277V 60HZ	CEX-L-1-R-W-12	7.1
	Single	1.8W		CEX-L-1-R-W-27	7.1
	Double	3.6W		CEX-L-2-R-W-12	6.9
	Double	3.6W		CEX-L-2-R-W-27	6.9
Battery Back-Up	Single	1.8W	120-277V 60HZ	CEX-L-1-R-W-12-EM	8.5
	Single	1.8W		CEX-L-1-R-W-27-EM	8.5
	Double	3.6W		CEX-L-2-R-W-12-EM	8.0
	Double	3.6W		CEX-L-2-R-W-27-EM	8.0

## Fixture Dimensions (inches)

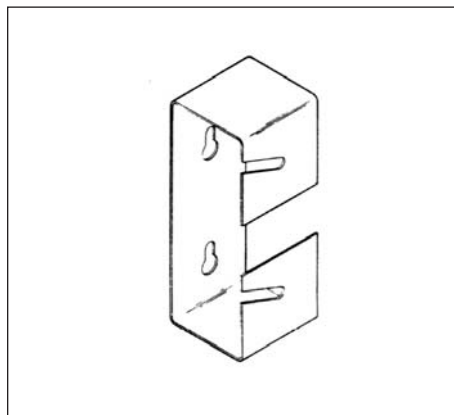


## Accessories



### Standard Mounting Kit

(1) Set Included Catalog Number: FFPXDMKT  
Shipping Weight: 1.0 lbs.  
Included with Fixture



### Wall Mounting Kit

(Optional) Catalog Number: CEXWMKT  
Shipping Weight: 1.75 lbs.

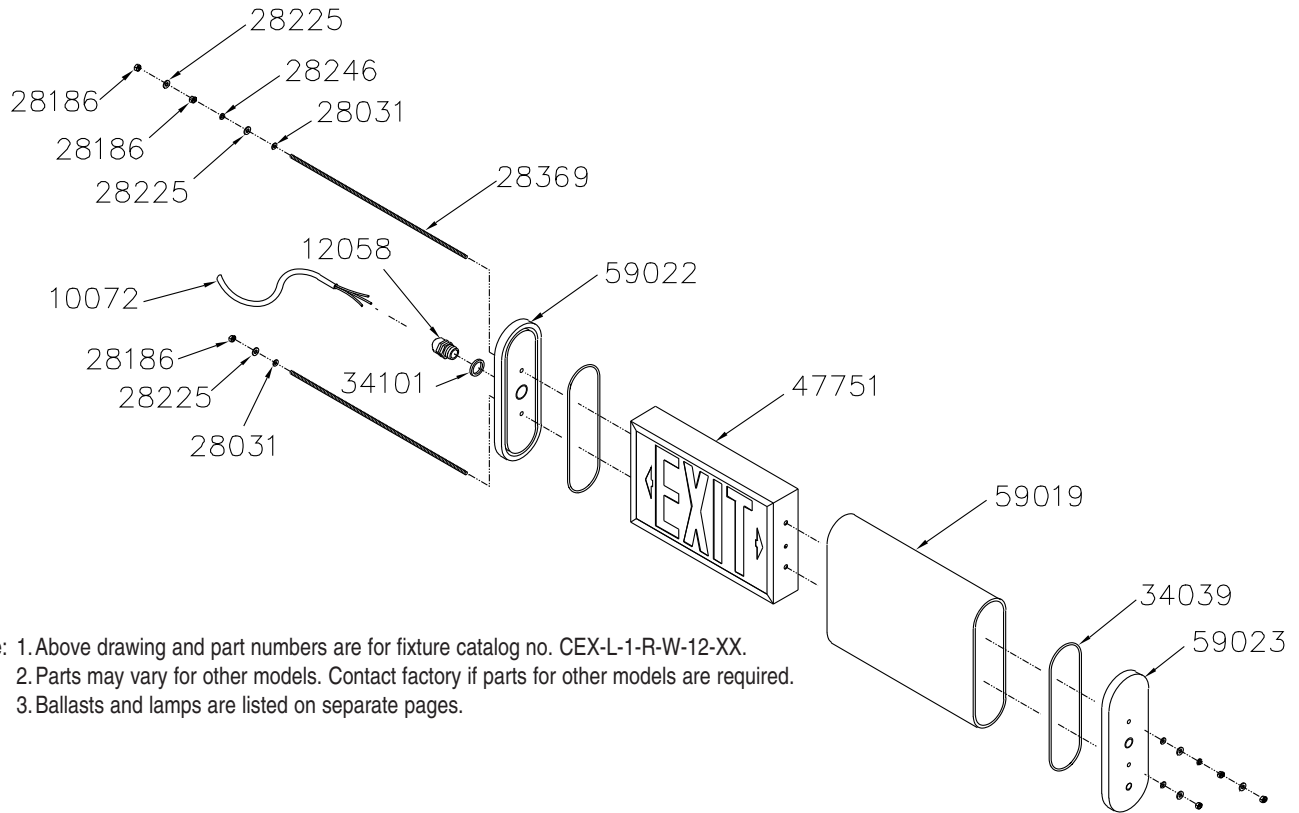
LED

# CEX Series

Non-Metallic • High Pressure Hose Down • Enclosed & Gasketed • Wet Locations

## Parts List

### CATALOG NUMBER CEX-L-1-R-W-12-XX



- Note: 1. Above drawing and part numbers are for fixture catalog no. CEX-L-1-R-W-12-XX.  
 2. Parts may vary for other models. Contact factory if parts for other models are required.  
 3. Ballasts and lamps are listed on separate pages.

Part No.	Description	Weight
10072	CABLE	0.24
12058	CORD GRIP	0.03
28186	HEX NUT SS	0.03
28225	WASHER FLAT SS	0.01
28246	WASHER SPLIT LOCK SS	0.01
28369	ALL THREAD BAR SS	0.16
34039	GSKT NEOPRENE CLOSED CELL	0.01
34101	GASKET NEOPRENE CORD CELL	0.01
34103	GASKET MOUNTING BOLTS	0.01
47751	FXTR EXIT INCAND. DOUB. FACE 120V	4.08
59019	OVAL TUBE CLEAR	1.13
59020	END CAP EXIT ELECTRICAL END	0.57
59021	END CAP EXIT NON-ELECTRICAL END	0.58