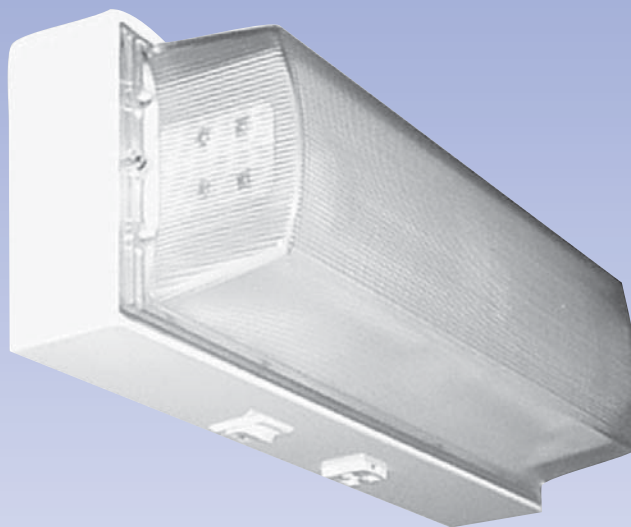


RML SERIES

R
M
L

Marine Inside-Type Mirror Light

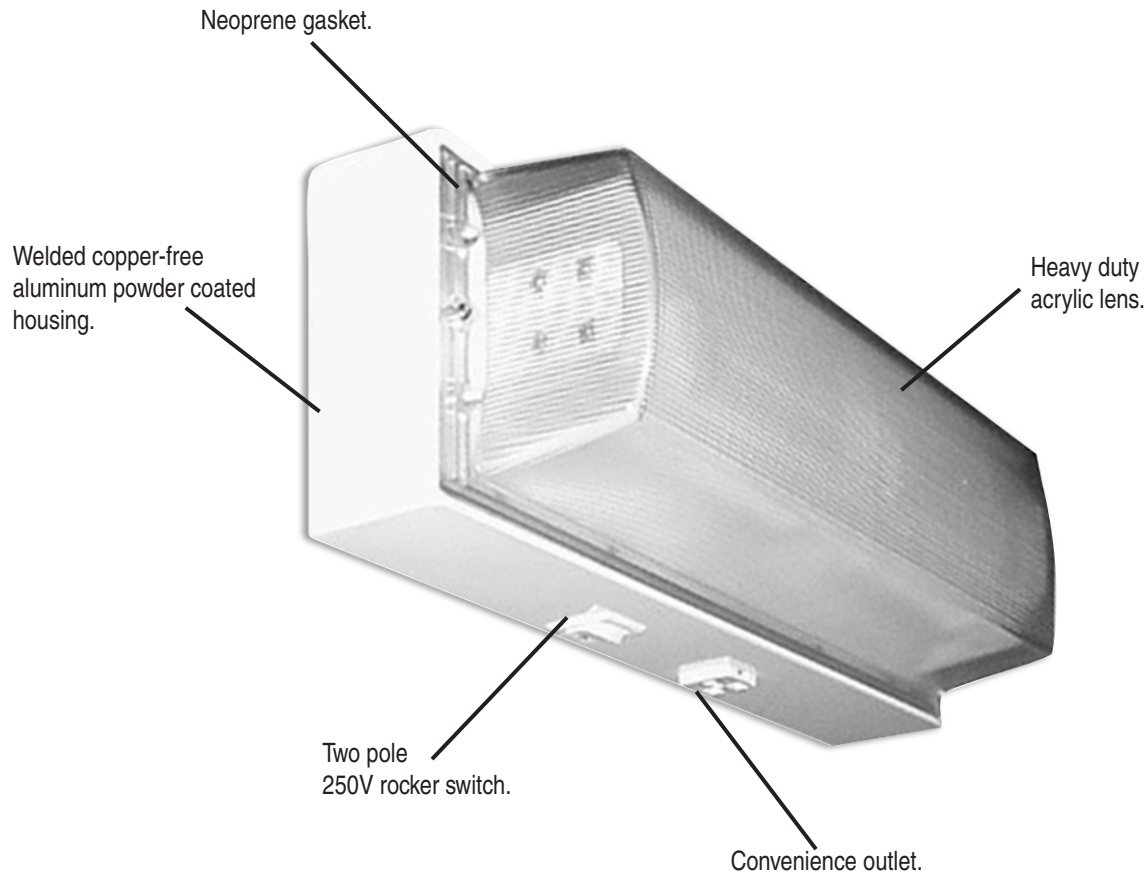
- UL 1598A Marine Inside Type
- Wall Mount
- Compact Fluorescent Lamps



AZZ | R-A-L™
RIG-A-LITE

RML SERIES

Marine Inside-Type Mirror Light



- UL 1598A Marine Inside Type
- Welded copper free aluminum housing
- Powder coated baked-on white polyester finish
- Neoprene closed cell gasket
- All exposed hardware and inserts constructed of brass
- Heavy duty prismatic acrylic lens
- Wall mount

FLUORESCENT

RML Series

1598A Marine Inside Type • Mirror Light • Welded Aluminum • Prismatic Acrylic Lens

Catalog Number Logic

RML-2-18-A-LCO

①

②

③

④

⑤

①

BASIC SERIES

RML Series Mirror Light
UL 1598A Marine Inside Type

②

NUMBER OF LAMPS

2 = 2 Lamps

③

LAMP CURRENT/LAMP WATTAGE

18 = 18 Watts
26 = 26 Watts

④

VOLTAGE/FREQUENCY

A = 120V 60HZ
B = 236V 60HZ
D = 220V 50HZ

⑤

OPTIONS¹

LCO = Less Convenience Outlet

¹Consult factory for pricing.

Catalog logic is for explaining catalog number structure only. Not all combinations are possible; consult factory for catalog numbers not listed in charts.

FLUORESCENT RML Series

1598A Marine Inside Type • Mirror Light • Welded Aluminum • Prismatic Acrylic Lens

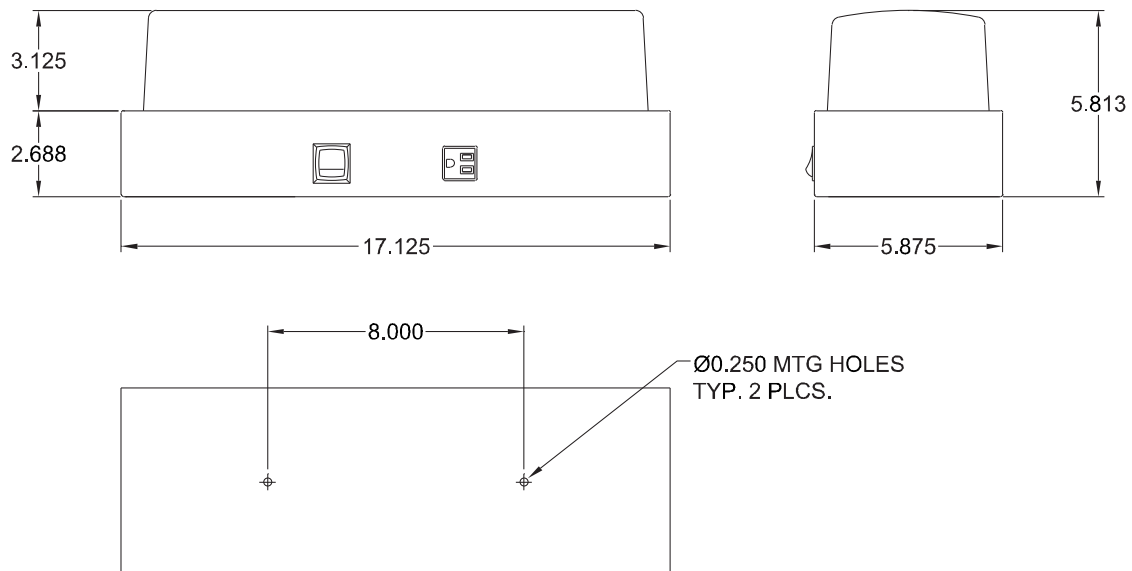


- Welded copper free aluminum housing
- Baked-on powder coated polyester finish
- Prismatic acrylic lens
- Two pole 250V rocker switch
- Two 18 watt pl lamps, 26 watt also available
- Universal voltage electronic ballast standard
- Fixture without receptacle standard
- Stainless steel external hardware
- Internal visor/lamp shield

(Lamps are included)

No. of Lamps	Lamp Type	Voltage	Catalog Number
2	18 Watt, PL Lamp	120V 60HZ	RML-2-18-A-LCO
	18 Watt, PL Lamp	236V 60HZ	RML-2-18-B-LCO
	18 Watt, PL Lamp	220V 50HZ	RML-2-18-D-LCO

Fixture Dimensions (inches)



RFL SERIES

Hazardous Location High Pressure Hose Down Recessed Fluorescent

- Class I, Division 2, Groups A, B, C & D
- UL 844 Hazardous Locations
- UL 924 Emergency Lighting
- UL 1598A Marine Inside Drip Proof
- CUL
- Inside Drip Proof
- High Pressure Hose Down



AZZ | R-A-L™
RIG-A-LITE

RFL SERIES

Hazardous Location High Pressure Hose Down Recessed Fluorescent



FLUORESCENT

RFL Series

Hazardous Locations • Class I, Division 2 • UL 1598A Inside Drip Proof • High Pressure Hose Down • UL 844 • UL 924 • CUL

Catalog Number Logic

RFL 265-24-4L-G-U-XX



1

BASIC SERIES

RFL Fluorescent Fixture
(i) RFL Hazardous Locations
and Marine Listings
(ii) MFL Marine Listing Only

2

LAMP CURRENT/LAMP WATTAGE

265 = 265mA, 17 or 32 Watt
Medium Bi-Pin T8 Lamps
430 = 430mA, 20 or 34 Watt Medium
Bi-Pin T12 Lamps

3

NOMINAL FIXTURE LENGTH

14 = 1 ft. x 4 ft.
22 = 2 ft. x 2 ft.
24 = 2 ft. x 4 ft.

4

NUMBER OF LAMPS

2L = 2 Lamps
3L = 3 Lamps
4L = 4 Lamps

5

MOUNTING

G = Grid

6

VOLTAGE/FREQUENCY

A = 120V 60HZ (430mA Only)
B = 236V 60HZ (430mA Only)
C = 277V 60HZ (430mA Only)
D = 220V 50HZ
H = 347V 60HZ
U = 120 thru 227V 50/60 HZ

7

OPTIONS²

EM = Emergency Battery Backup
F = Individually Fused Ballast¹
R = Radio Interference Filter

¹Fuse option not available for marine listed fixtures.

²Consult factory for pricing.

Consult factory for available industry suitable flange kits.

Catalog logic is for explaining catalog number structure only. Not all combinations are possible; consult factory for catalog numbers not listed in charts.

FLUORESCENT

RFL Series

Hazardous Locations • Class I, Division 2 • UL 1598A Inside Drip Proof • High Pressure Hose Down • UL 844 • UL 924 • CUL



- Class I, Division 2, Groups A, B, C and D
- UL 844 Hazardous Locations
- UL 924 Wet Locations
- UL 1598A Marine Inside Drip Proof
- CUL
- Suitable for grid (lay-in) ceilings
- Recessed type non-IC fluorescent luminaire
- High pressure hose down
- Welded aluminum construction
- Baked-on powder polyester finish
- High impact heavy duty prismatic acrylic lens
- Smooth cleanable surface
- Bolt-on gasketed cast aluminum hubs
- Available in 2 ft. x 4 ft., 1 ft. x 4 ft., & 2 ft. x 2 ft.
- Consult factory for available industry suitable flange kits

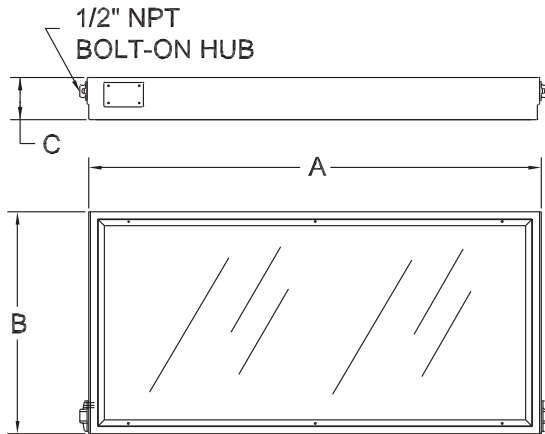
(Lamps not included)

Fixture Size	No. of Lamps	Description	Voltage	Catalog Number
1 x 4	2	32 Watt, F32 T8 Medium Bi-Pin	120-277V 50/60HZ	RFL265-14-2L-G-U
		34 Watt, F40T12 Medium Bi-Pin	120V/60HZ	RFL430-14-2L-G-A
			236V/60HZ	RFL430-14-2L-G-B
2 x 4	3	32 Watt, F32 T8 Medium Bi-Pin	120-277V 50/60HZ	RFL265-24-3L-G-U
		34 Watt, F40T12 Medium Bi-Pin	120V/60HZ	RFL430-24-3L-G-A
			236V/60HZ	RFL430-24-3L-G-B
	4	32 Watt, F32 T8 Medium Bi-Pin	277V/60HZ	RFL430-24-3L-G-C
			34 Watt, F40T12 Medium Bi-Pin	120-277V 50/60HZ
		34 Watt, F40T12 Medium Bi-Pin	120V/60HZ	RFL430-24-4L-G-A
236V/60HZ	RFL265-24-4L-G-B			
2 x 2	3	34 Watt, F40T12 Medium Bi-Pin	277V/60HZ	RFL430-24-4L-G-C
		17 Watt, F17 T8 Medium Bi-Pin	120-277V 50/60HZ	RFL265-22-3L-G-U
	4	20 Watt, F20T12 Medium Bi-Pin	120V/60HZ	RFL430-22-3L-G-A
		17 Watt, F17 T8 Medium Bi-Pin	120-277V 50/60HZ	RFL265-22-4L-G-U
20 Watt, F20T12 Medium Bi-Pin	120V/60HZ	RFL430-22-4L-G-A		

FLUORESCENT RFL Series

Hazardous Locations • Class I, Division 2 • UL 1598A Inside Drip Proof • High Pressure Hose Down • UL 844 • UL 924 • CUL

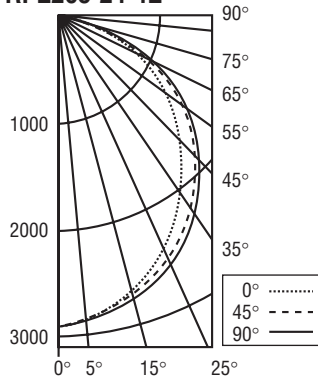
Fixture Dimensions (inches)



RFL SERIES	Dimensions (Inches)			Boxed Weight lbs.	Shipping Volume (Boxed Fixture)
	A	B	C		
1 x 4 Model	48.12	11.75	4.50	11 lbs.	2.10 cu. ft.
2 x 4 Model	48.12	23.75	4.50	22 lbs.	4.10 cu. ft.
2 x 2 Model	24.12	23.75	4.50	12 lbs.	2.23 cu. ft.

Photometric Data

RFL265-24-4L



Candlepower Distribution

RFL265-24-4L

Deg.	Parl.	22.5	45.0	67.5	Norm	Zonal Flux
0	1052	1052	1052	1052	1052	
5	1052	1050	1050	1046	1048	100
15	1052	1022	1036	1048	1056	293
25	940	964	1000	1043	1061	463
35	834	877	953	1025	1051	595
45	690	759	871	971	1003	667
55	511	608	750	864	896	654
65	304	423	587	718	751	559
75	135	258	445	575	607	436
85	37	141	302	415	440	302
90	15	98	251	351	387	
95	15	75	221	318	359	218
105	10	39	153	239	281	151
115	4	15	67	129	165	73
125	0	2	19	36	55	20
135	0	0	7	13	15	6
145	0	0	2	5	8	2
155	0	0	0	0	1	0
165	0	0	0	0	0	0

Photometric Data

Coefficients of Utilization

RFL265-24-4L

% Effective Ceiling Cavity Reflectance rcc	80			50			10		
% Wall Reflectance rw	50	30	10	50	30	10	50	30	10
Room Cavity Ratio Rcr	20% Effective Floor Cavity Reflectance								
0	80	80	80	74	74	74	68	68	68
1	70	67	64	65	63	61	60	59	57
2	61	56	52	57	53	50	53	50	48
3	53	48	43	50	46	42	47	43	41
4	47	41	37	45	40	36	42	38	35
5	42	36	32	40	35	31	37	34	30
6	38	32	28	36	31	27	34	30	27
7	34	29	24	33	28	24	31	27	24
8	31	26	22	30	25	22	28	24	21
9	29	23	20	28	23	19	26	22	19
10	27	21	18	26	21	18	24	20	17

FLUORESCENT RFL Series

Hazardous Locations • Class I, Division 2 • UL 1598A Inside Drip Proof • High Pressure Hose Down • UL 844 • UL 924 • CUL

Parts List

CATALOG NUMBER RFL265-24-4-G-U

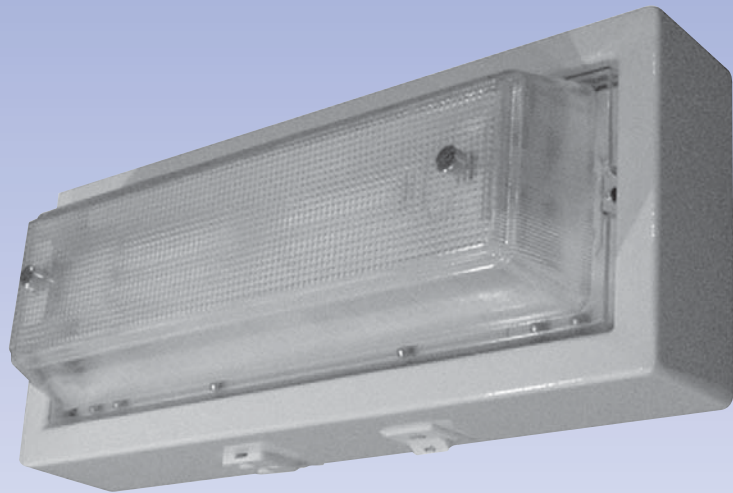


Part No.	Description	Weight
O2205	BLST FLUOR 265MA 120V - 277V 50 60HZ	4.2
18005	CABLE SS WIRE LENS FRAME	1.2
18010	SNAP HOOK 1 0.325 IN 7340 CDPL	0.1
26369	HUB 1/2 NPT MACHINED	0.1
26751P	HSG TROFFER RECESSED 2X4 PNTD	1.1
26752P	LENS FRAME TROFFER 2X4 PNTD	1.0
26753	BLST COVER RFL 2X4 OR 1X4	0.5
26754	LPHLDR BRKT MED BIPIN 2X4 BY 2X2	0.1
26757P	ACCESS COVER PNTD	0.1
26766	SHKMT BRKT	0.1
26780	TERMINAL BLOCK BRKT	0.1
28100	HEX NUT 10-32 SS	0.1
8117	SCREW RDH 1/4-20 X 1/2 CDPL	0.1
28125	WASHER FLAT #10 PL	0.1
28132	SCREW RDH 8-32 X 1/4 SS	0.1
28133	SCREW RDH 8-32 X 5/16 SS	0.1
28340	WASHER STAR OUTSIDE 1/4 CDPL	0.1
28361	WASHER STAR INTL #8 PL	0.1
28372	WASHER FLAT 0.15 IN ID 0.31 IN OD .03 IN NYLON	0.1
28373	CAGE NUT 8-32 R .064-.105 PL	0.1
28374	SERRATED FLANGE NUT 10-32 PL	0.1
28380	HEX NUT 6-32 SS	0.1
28381	WASHER NYLON .203 ID .47 OD .031 THK	0.1
28405	PANEL SCREW 8-32 X 1 BRASS NIPL	0.1
34104	NEOPRENE GASKET STRIP 0.125 IN X 0.25 IN ADHESIVE	1.1
36270	LENS 2X4 PRISM ACRYLIC DR	2.1
70012	LMPHLDR FLUOR MED BI PIN TOMBSTONE	0.1
Y00155	TERMINAL BLOCK 300V 50A 3P 8-14AWG	0.1
34018R	HUB SILICONE GASKET	0.1

RBL SERIES

Marine Inside-Type Berth Light

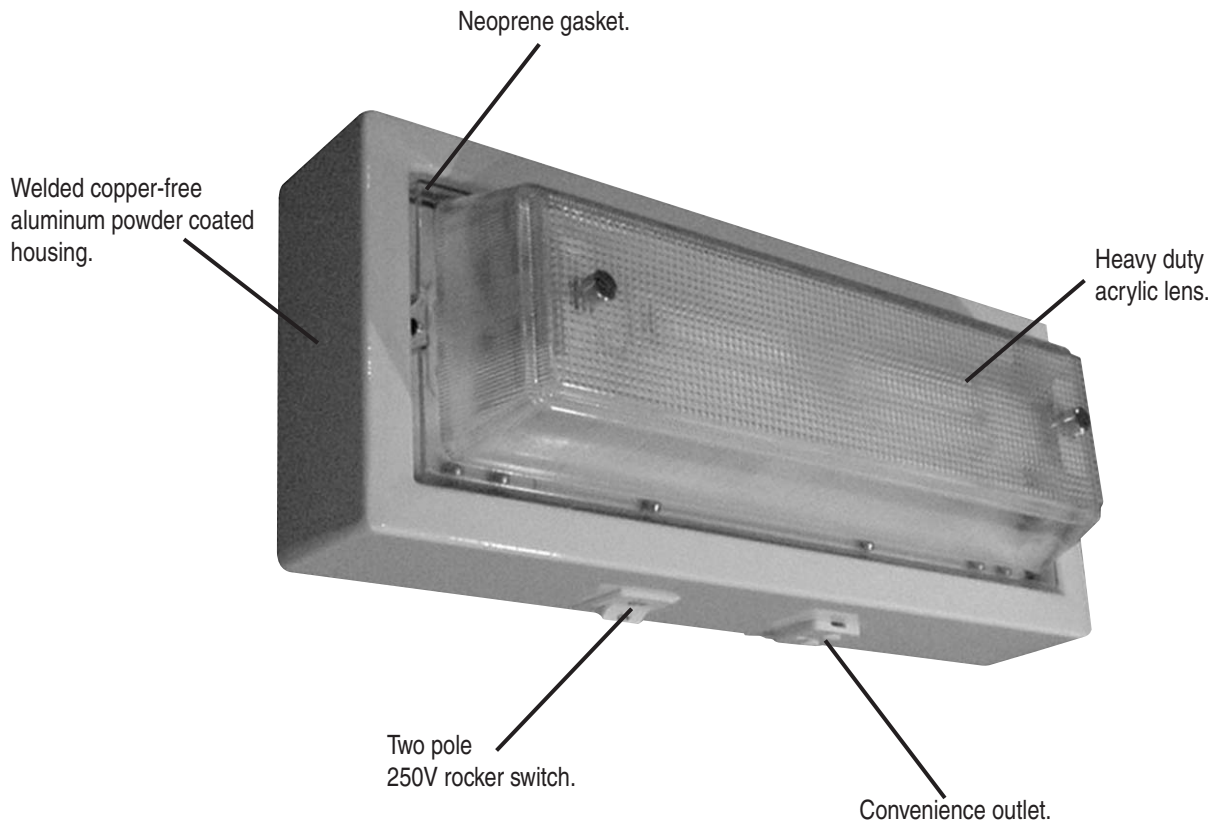
- UL 1598A Marine Inside Type
- UL 1598A Marine Inside Drip Proof
- Wall Mount
- Compact Fluorescent Lamps



AZZ | R-A-L™
RIG-A-LITE

RBL SERIES

Marine Inside Type Berth Light



- UL 1598A Marine Inside Type
- Welded copper free aluminum housing
- Powder coated baked-on white polyester finish
- Neoprene close cell gasket
- All exposed hardware and inserts constructed of brass
- Heavy duty prismatic acrylic lens
- Wall mount

FLUORESCENT

RBL Series

1598A Marine Inside Type Berth Light • Welded Aluminum • Prismatic Acrylic Lens

Catalog Number Logic

RBL-2-13-A-LCO



- | | | | |
|----------|---|----------|---|
| 1 | BASIC SERIES
RBL Series Bunk Light
UL 1598A Marine Inside Type | 4 | VOLTAGE/FREQUENCY
A = 120V 60HZ
B = 236V 60HZ
D = 220V 50HZ |
| 2 | NUMBER OF LAMPS
2 = 2 Lamps | 5 | OPTIONS¹
LCO = Less Convenience Outlet |
| 3 | LAMP CURRENT/LAMP WATTAGE
13 = 13 Watts | | ¹ Consult factory for pricing. |

Catalog logic is for explaining catalog number structure only. Not all combinations are possible; consult factory for catalog numbers not listed in charts.

FLUORESCENT

RBL Series

1598A Marine Inside Type Berth Light • Welded Aluminum • Prismatic Acrylic Lens



- Welded copper free aluminum housing
- Baked-on powder coated polyster finish
- Prismatic acrylic lens
- Two pole 250V rocker switch
- Two 13-watt PL lamps
- Universal voltage electronic ballast standard
- Fixture without receptacle optional
- Stainless steel external hardware
- Internal visor/lamp shield

(Lamps are included)

No. of Lamps	Lamp Type	Voltage	Catalog Number
2	13 Watt, PL Lamp	120V 60HZ	RBL-2-13-A-LCO
	13 Watt, PL Lamp	236V 60HZ	RBL-2-13-B-LCO
	13 Watt, PL Lamp	220V 50HZ	RBL-2-13-D-LCO

Fixture Dimensions (inches)

